



Aluminium Profiles (P)

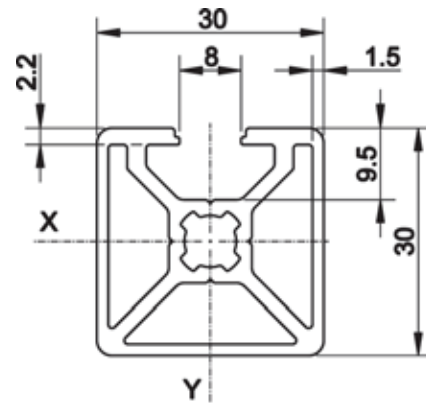
Item Description:

Item Number:

P30 x 30 - 1S

1.08.3001.0

6.8 M8 8



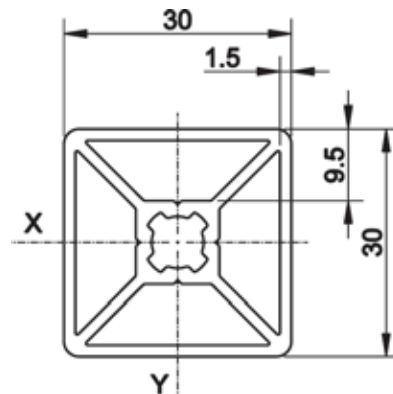
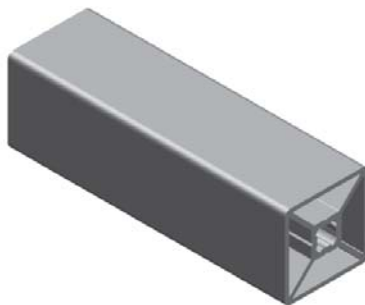
Item Description:

Item Number:

P30 x 30 - 0S

1.08.3006.0

6.8 M8 0



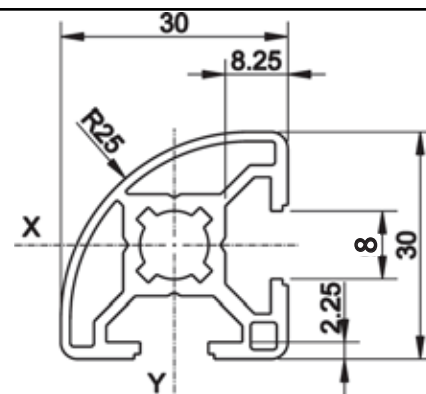
Item Description:

Item Number:

P30 x 30 R

1.08.3004.0

6.8 M8 8



Technical Information:

Item Description	Moment of Inertia (cm ⁴)		Moment of Resistance (cm ³)		Area (cm ²)	Standard Length (mm)	Weight (kg/m)	Material
	I _x	I _y	Z _x	Z _y				
P30 x 30 - 1S	2.70	2.70	1.80	1.80	3.27	6000	0.88	AA6060 - T5
P30 x 30 - 0S					3.08		0.83	
P30 x 30R	2.30	2.30	1.40	1.40	2.73		0.74	



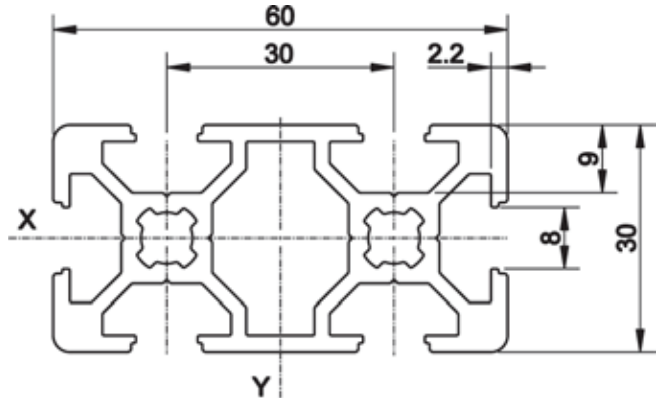
Aluminium Profiles (P)

Item Description:

Item Number:

P30 x 60

1.08.3005.0



Technical Information:

Item Description	Moment of Inertia (cm ⁴)		Moment of Resistance (cm ³)		Area (cm ²)	Standard Length (mm)	Weight (kg/m)	Material
	I _x	I _y	Z _x	Z _y				
P30 x 60	19.70	5.10	6.60	3.40	6.25	6000	1.69	AA6063 - T6



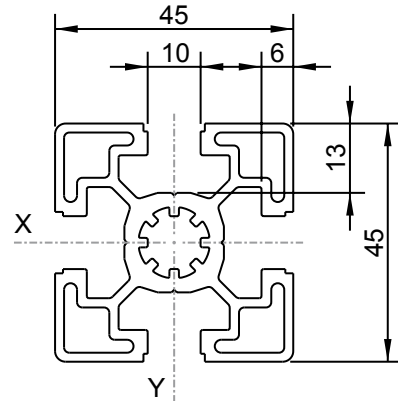
Aluminium Profiles (P)

Item Description:

Item Number:

P45 x 45 LF

1.10.4545.0

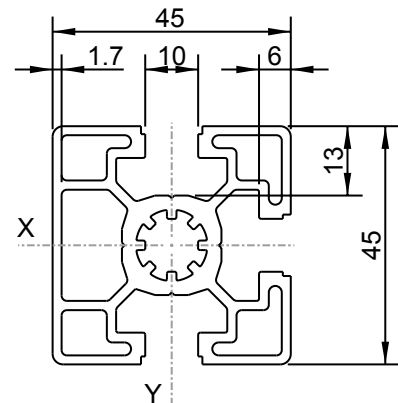


Item Description:

Item Number:

P45 x 45 L - 3S

1.10.4503.0

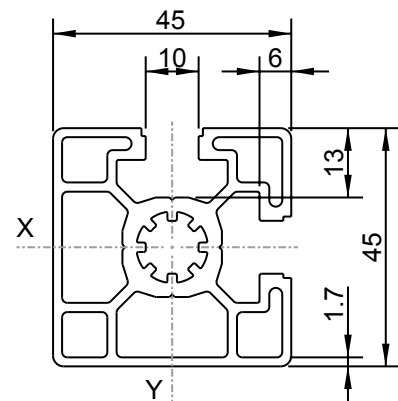


Item Description:

Item Number:

P45 x 45 L - 2S

1.10.4502.0



Technical Information:

Item Description	Moment of Inertia (cm ⁴)		Moment of Resistance (cm ³)		Area (cm ²)	Standard Length (mm)	Weight (kg/m)	Material
	I _x	I _y	Z _x	Z _y				
P45 x 45 LF	11.80	11.80	4.80	4.80	6.83	6000	1.84	AA6063 - T6
P45 x 45L - 3S	11.60	11.60			6.77		1.83	
P45 x 45L - 2S	11.00	11.00			6.72		1.81	AA6060 - T5

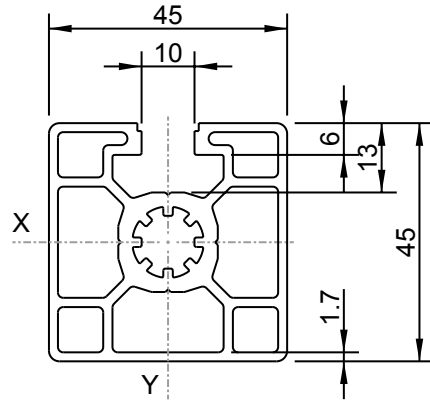
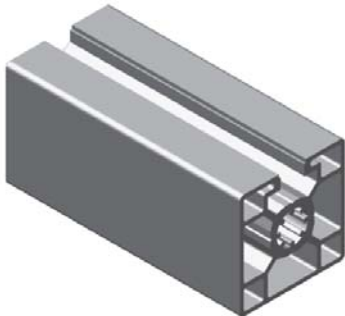
Aluminium Profiles (P)

Item Description:

Item Number:

P45 x 45 L - 1S

1.10.4501.0

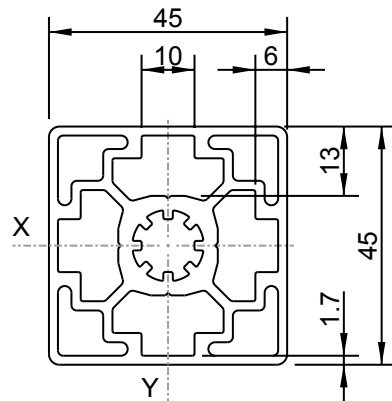
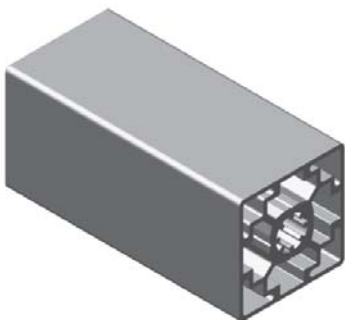


Item Description:

Item Number:

P45 x 45 L - 0S

1.10.4507.0

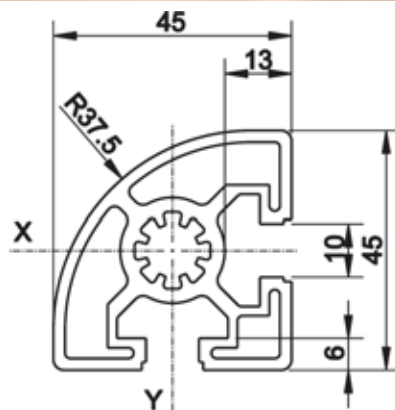


Item Description:

Item Number:

P45 x 45 R

1.10.4504.0



Technical Information:

Item Description	Moment of Inertia (cm ⁴)		Moment of Resistance (cm ³)		Area (cm ²)	Standard Length (mm)	Weight (kg/m)	Material
	I _x	I _y	Z _x	Z _y				
P45 x 45 L - 1S	11.0	11.0	4.80	4.80	6.66	6000	1.80	AA6063 - T6
P45 x 45 L - 0S	10.90	10.90	4.50	4.50	7.6		2.05	
P45 x 45 R	8.50	8.50	3.40	3.40	6.47	5600	1.30	AA6060 - T5



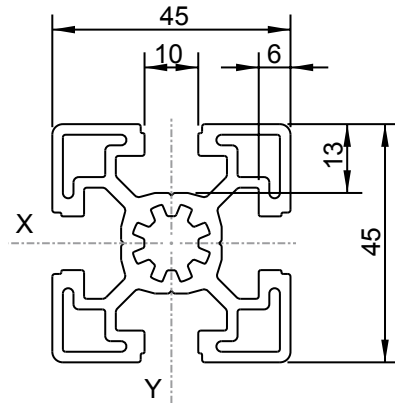
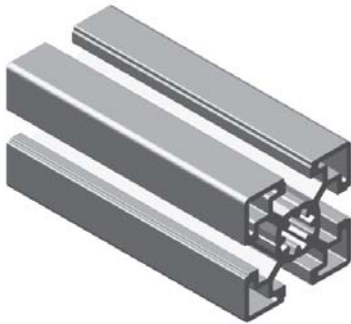
Aluminium Profiles (P)

Item Description:

Item Number:

P45 x 45 H

1.10.4505.0

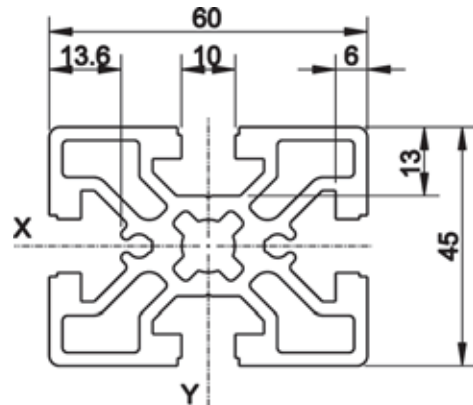


Item Description:

Item Number:

P45 x 60

1.10.4510.0



Technical Information:

Item Description	Moment of Inertia (cm ⁴)		Moment of Resistance (cm ³)		Area (cm ²)	Standard Length (mm)	Weight (kg/m)	Material
	I _x	I _y	Z _x	Z _y				
P45 x 45 H	14.70	14.70	6.54	6.54	7.54	6000	2.04	AA6063 - T6
P45 x 60	36.50	21.20	12.20	9.39	11.35		3.06	



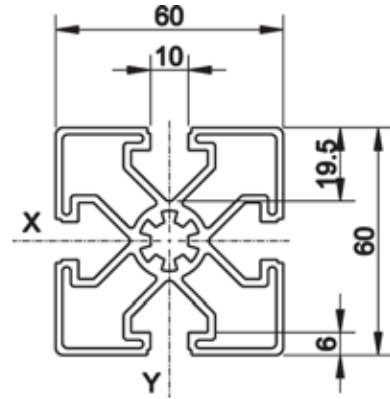
Aluminium Profiles (P)

Item Description:

Item Number:

P60 x 60

1.10.6060.0

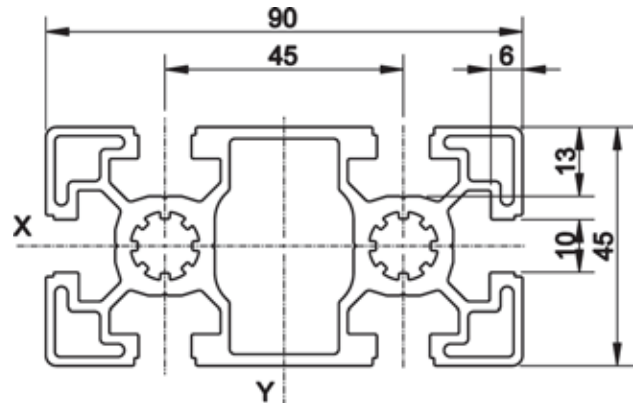


Item Description:

Item Number:

P45 x 90

1.10.4520.0

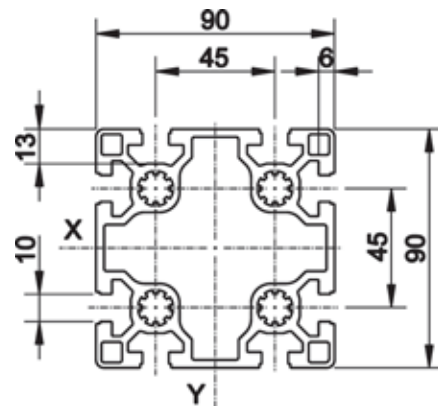


Item Description:

Item Number:

P90 x 90

1.10.9090.0



Technical Information:

Item Description	Moment of Inertia (cm ⁴)		Moment of Resistance (cm ³)		Area (cm ²)	Standard Length (mm)	Weight (kg/m)	Material
	I _x	I _y	Z _x	Z _y				
P60 x 60	32.40	32.40	10.80	10.80	9.56	6000	2.58	AA6063 - T6
P45 x 90	27.70	104.60	13.25	22.50	12.54		3.39	
P90 x 90	288.95	288.95	64.21	64.21	23.54		6.10	



Aluminium Profiles (P)

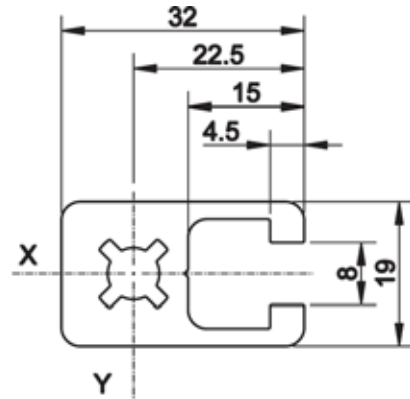
Item Description:

Item Number:

P19 x 32

1.08.1900.0

6.8 M8 8



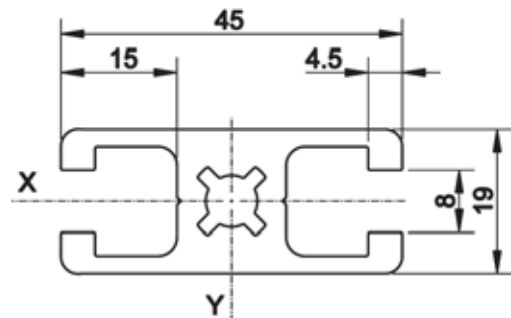
Item Description:

Item Number:

P19 x 45

1.08.1901.0

6.8 M8 8



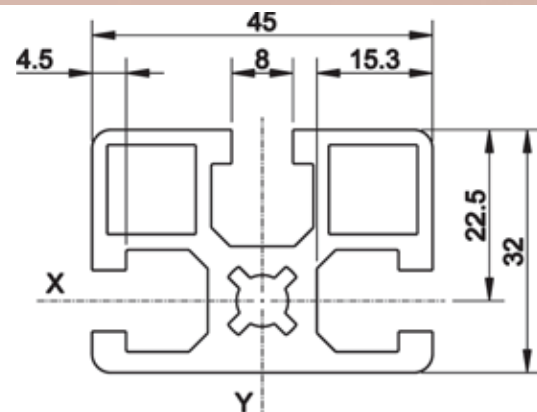
Item Description:

Item Number:

P32 x 45

1.08.3245.0

6.8 M8 8



Technical Information:

Item Description	Moment of Inertia (cm ⁴)		Moment of Resistance (cm ³)		Area (cm ²)	Standard Length (mm)	Weight (kg/m)	Material
	I _x	I _y	Z _x	Z _y				
P19 x 32	1.40	2.70	1.41	1.37	3.58	6000	0.97	AA6060 - T5
P19 x 45	2.03	6.12	2.17	2.76	4.15		1.13	
P32 x 45	8.30	5.18	3.69	2.82	5.80		1.57	



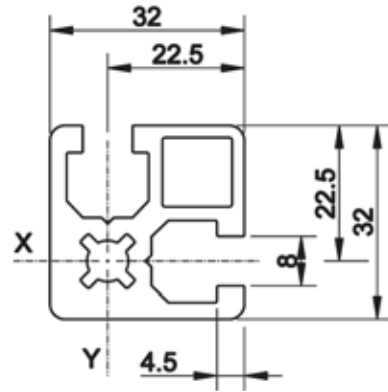
Aluminium Profiles (P)

Item Description:

Item Number:

P32 x 32

1.08.3232.0

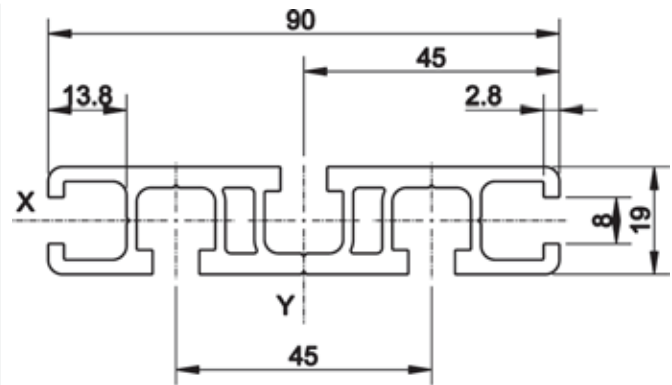
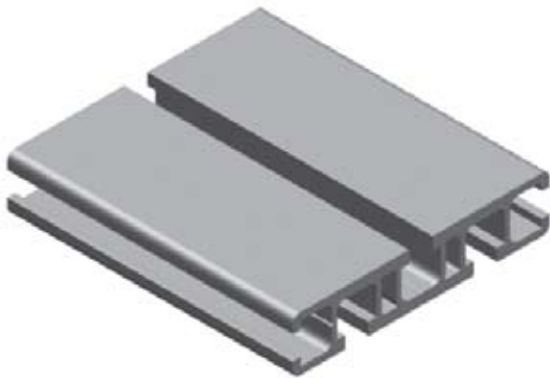


Item Description:

Item Number:

Profile 19 x 90

1.08.1990.0



Technical Information:

Item Description	Moment of Inertia (cm ⁴)		Moment of Resistance (cm ³)		Area (cm ²)	Standard Length (mm)	Weight (kg/m)	Material
	I _x	I _y	Z _x	Z _y				
P32 x 32	4.82	4.82	2.70	2.70	4.80	6000	1.29	AA6060 - T5
P19 x 90	44.97	3.32	9.99	3.35	6.82		1.92	



Aluminium Profiles (P)

Sliding Door Assembly

1 - Guiding Profile

1.10.4517.0 

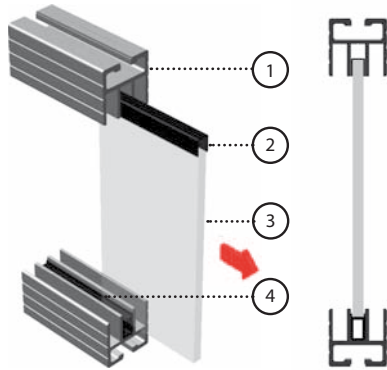
2 - Sliding Profile

1.25.0055.0 

3 - 6mm Polycarbonate

1.25.0300.0 

4 - Insert Profile

1.25.0056.0 **Function:** Creates a low friction guide for polycarbonate sliding doors.**Features:**

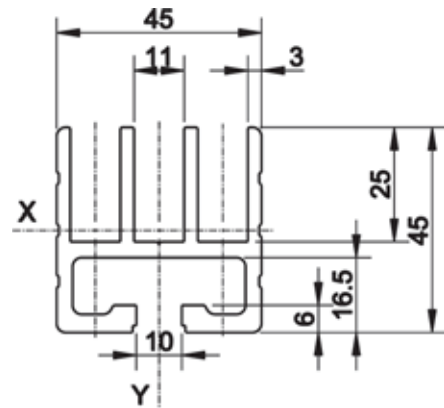
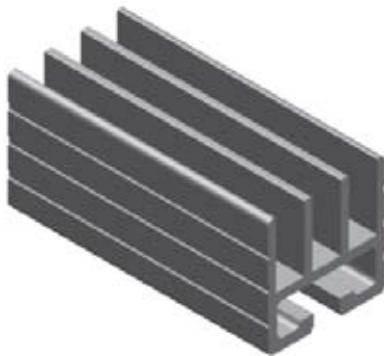
1. Lightweight, robust and easy to assembly.
2. The three tracks allow up to three sliding doors.
3. Can be used in conjunction with many connectors designed for 10mm slot profiles.

Item Description:

Item Number:

Guiding Profile

1.10.4517.0

10 

Technical Information:

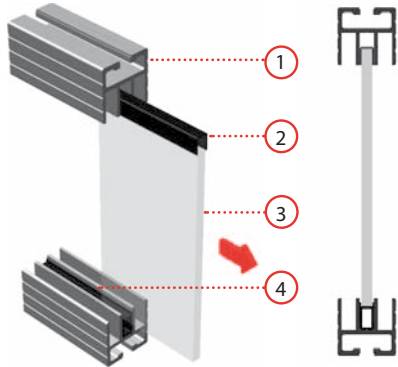
Item Description	Moment of Inertia (cm ⁴)		Moment of Resistance (cm ³)		Area (cm ²)	Standard Length (mm)	Weight (kg/m)	Material
	I _x	I _y	Z _x	Z _y				
Guiding Profile	16.53	12.02	7.34	4.74	6.97	3000	1.88	AA6063 - T6



Plastic Profiles

Sliding Door Assembly

- 1 - Guiding Profile
1.10.4517.0 > 2.17
- 2 - Sliding Profile
1.25.0055.0 > 2.18
- 3 - 6mm Polycarbonate
1.25.0300.0 > 2.18
- 4 - Insert Profile
1.25.0056.0 > 2.18



Function: Creates a low friction guide for polycarbonate sliding doors.

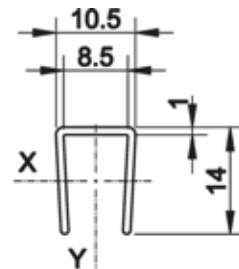
- Features:**
- 1. Lightweight, robust and easy to assembly.
 - 2. Low friction.

Item Description:

Sliding Profile (SPF)

Item Number:

1.25.0055.0

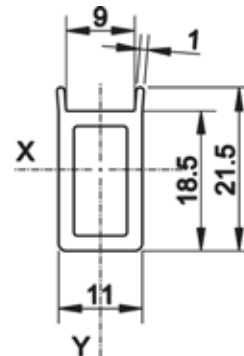
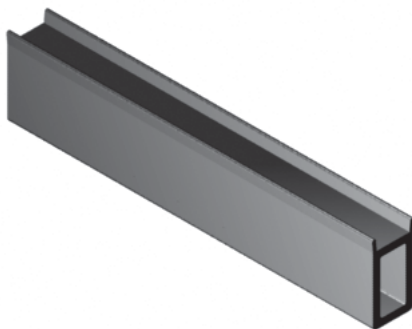


Item Description:

Insert Profile (IPF)

Item Number:

1.25.0055.0



Technical Information:

Item Description	Moment of Inertia (cm ⁴)		Moment of Resistance (cm ³)		Area (cm ²)	Standard Length (mm)	Weight (kg/m)	Material
	I _x	I _y	Z _x	Z _y				
SPF	-	-	-	-	0.36	3000	-	PVC, Black
IPF	-	-	-	-	1.08		-	PVC, Black